

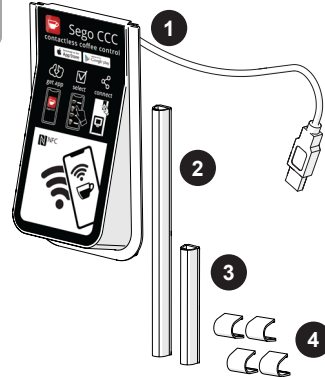
1.



www.bravilor.com

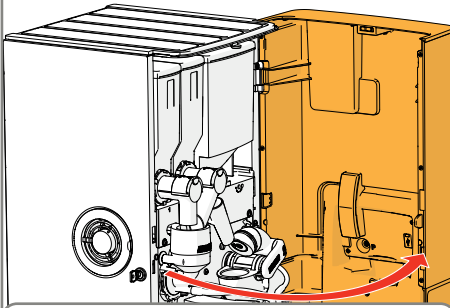
download the latest Sego software from the site and import it onto the machine

2.



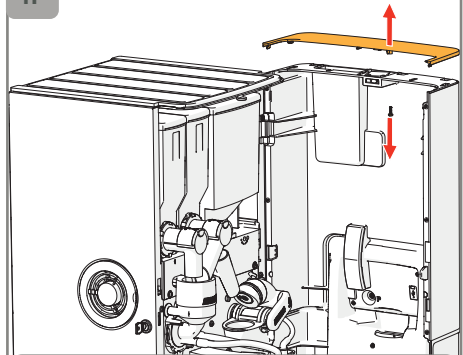
Sego NFC kit

3.



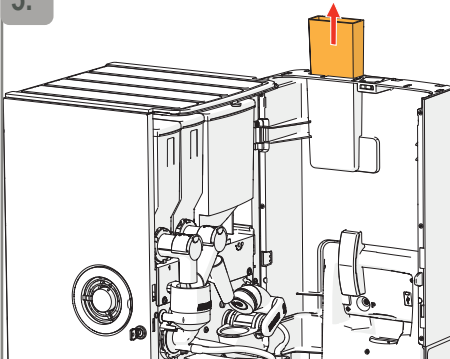
open the door

4.



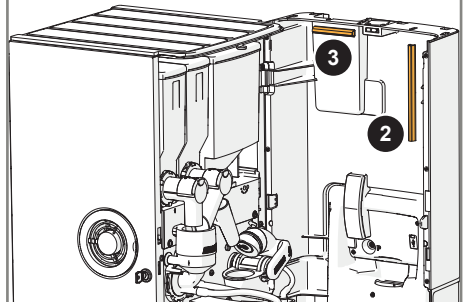
remove the cover

5.

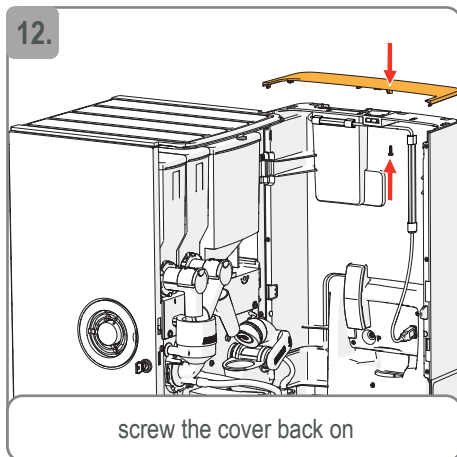
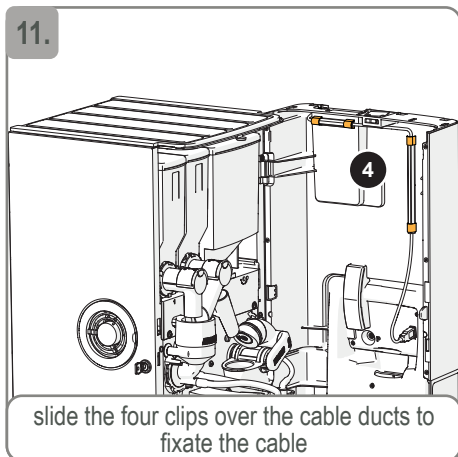
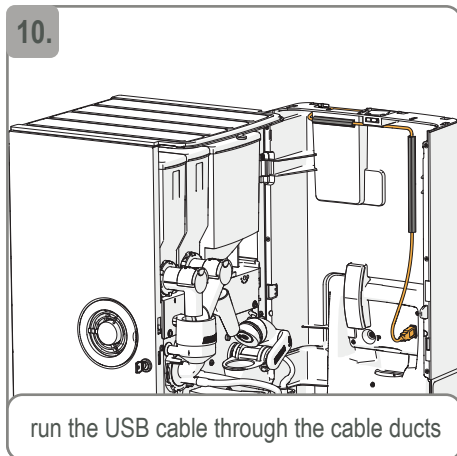
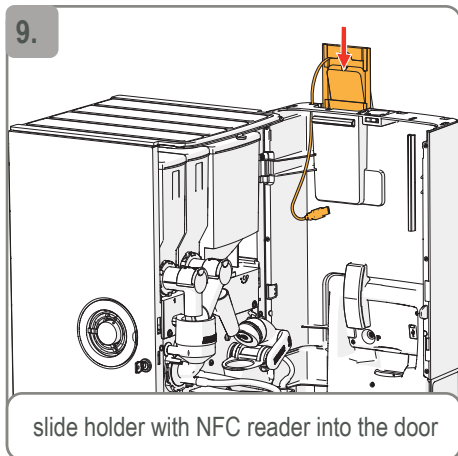
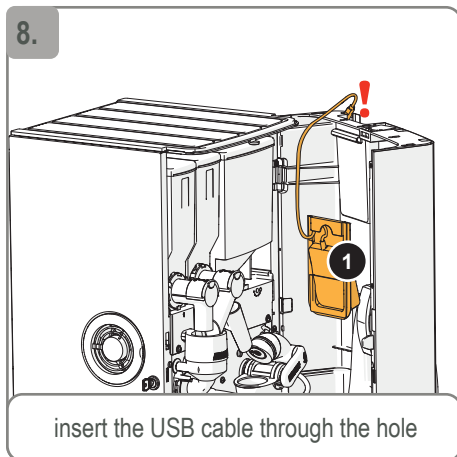
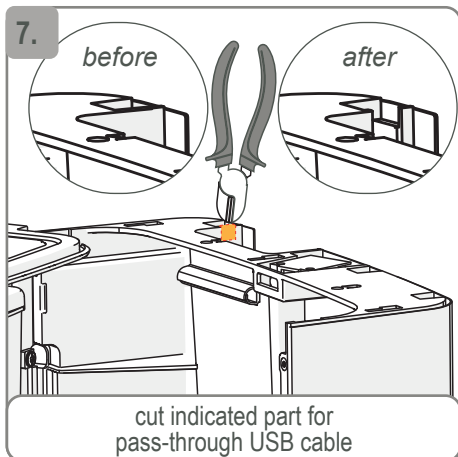


remove bin for ornamental beans

6.



place the cable ducts



13.



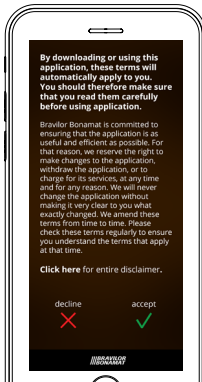
download the app : Sego CCC
minimal required : Android 6.0 / iOS 13

14.



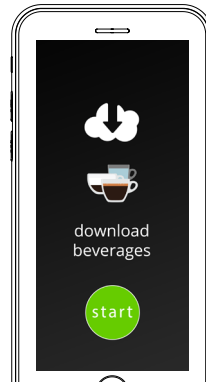
please wait for the next screen

15.



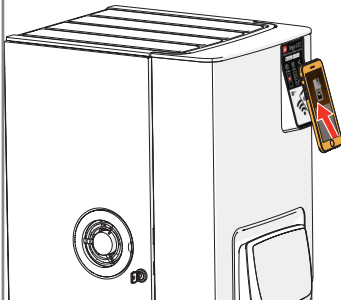
read the disclaimer
press ✓ to go to the next screen

16.



press start and hold your smartphone in front of the NFC reader to connect

17.



download the beverages and
follow the instructions of the app

