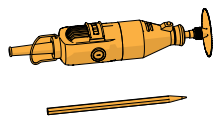
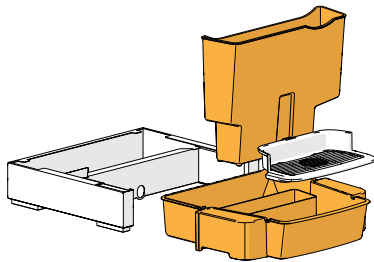


Sego counter cutout for raiser set

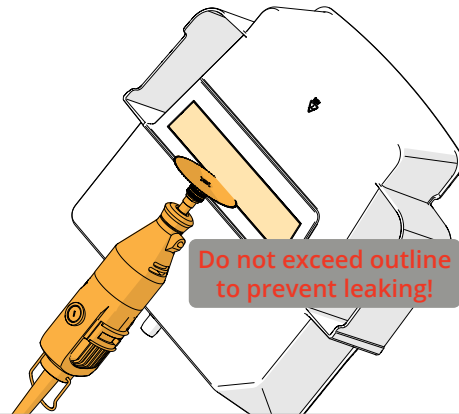
1.



multitool with thin and fine hacksaw blade
pencil

- tools
- raiser set

2.



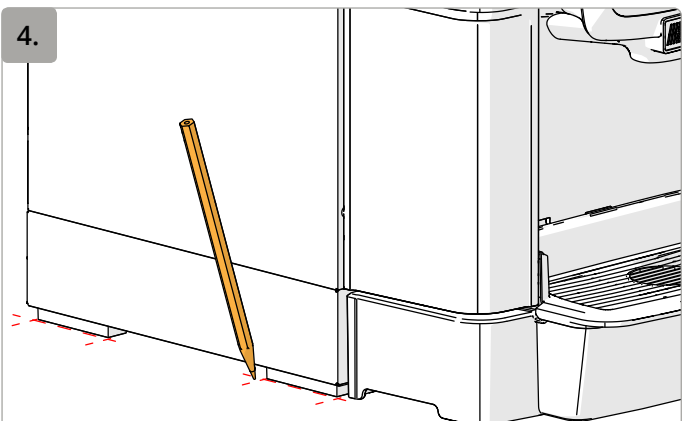
- follow template to create cut-out (drip tray) carefully
- smooth / sand the edges

3.



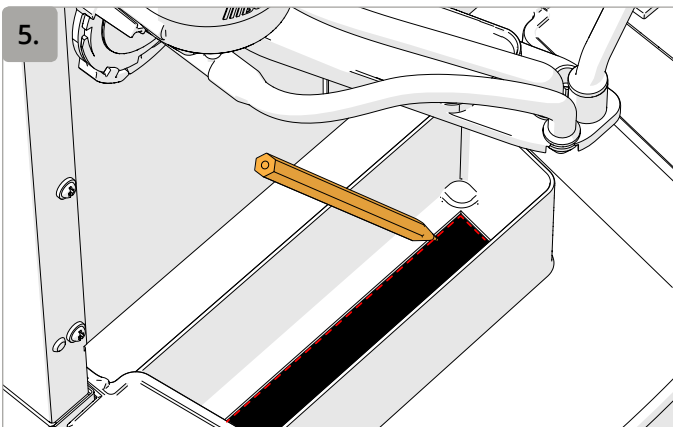
- follow template to create cut-out (waste bin) carefully
- smooth / sand the edges

4.



- put the Sego in its final position and mark it

5.



- mark the location of the hole in the counter

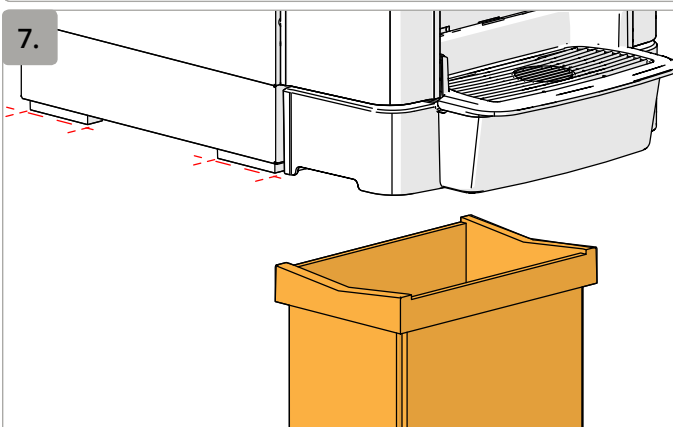
6.

Warning:

- ▶ Making a hole in your counter is your own responsibility.
- ▶ Protect the edges of the hole from moisture penetration.

- close the door and move the Sego
- cut out the hole in the counter

7.



- place the Sego on the previously marked place
- place a large waste bin under the hole

8. Waste bin counter



The 'Empty waste bin' appears after

◀ XX ▶ dosings on the screen.

Has a pedestal been installed?

no yes



- enter programming, select process settings, select waste bin counter
- confirm installation of 'pedestal' and set the number of dosings to the maximum